

DG series

DG-12128-02 128 X 128 Dots

Mechanical Data

Item	Standard Value	Unit
Module Size	88.4(W) x 88.4(H) x 10.8(T)	mm
Viewing Area	69.0(W) x 69.0(H)	mm
Dot Pixels	128 x 128	dots
Dot Size	0.46 x 0.46	mm
Dot Pitch	0.50 x 0.50	mm

Absolute Maximum Ratings

Item	Symbol	Standard Value			Unit
		Min.	Typ.	Max.	
Supply Voltage for Logic	$V_{DD}-V_{SS}$	0	--	7.0	V
Supply Voltage for LCD Drive	$V_{DD}-V_{EE}$	0	--	26.0	V
Input Voltage	V_I	V_{SS}	--	V_{DD}	V
Operation Temperature	T_{opr}	0	--	50	°C
Storage Temperature	T_{stg}	-20	--	70	°C

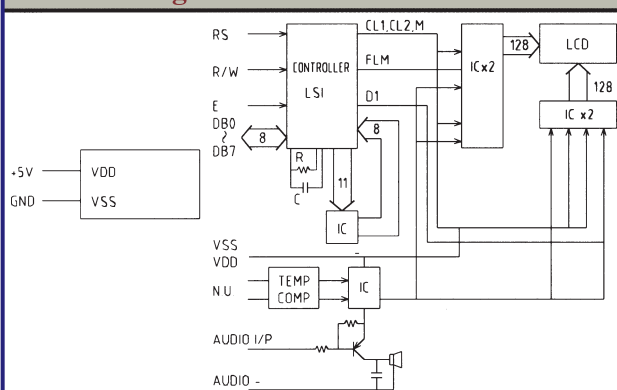
Electrical Characteristics

Item	Symbol	Condition	Standard Value			Unit
			Min.	Typ.	Max.	
LCD Supply Voltage	$V_{DD}-V_{SS}$	--	4.75	5.0	5.25	V
LCD Driver Circuit Power Supply Voltage	$V_{DD}-V_{EE}$	25°C	17.7	18.4	19.1	V
Input Voltage	V_{IH}	$V_{DD} = 5+0.25V$	$0.7 \times V_{DD}$	--	V_{DD}	V
Input Voltage	V_{IL}	$V_{DD} = 5+0.25V$	0	--	$0.3 \times V_{DD}$	V
Output Voltage	V_{OH}					V
Output Voltage	V_{OL}					V
Input Leakage Current	I_U					V
Supply Current	I_{DD}	$V_{DD} = 5.0V$	--	13	30.0	mA
EL Backlight	I_{EL}					

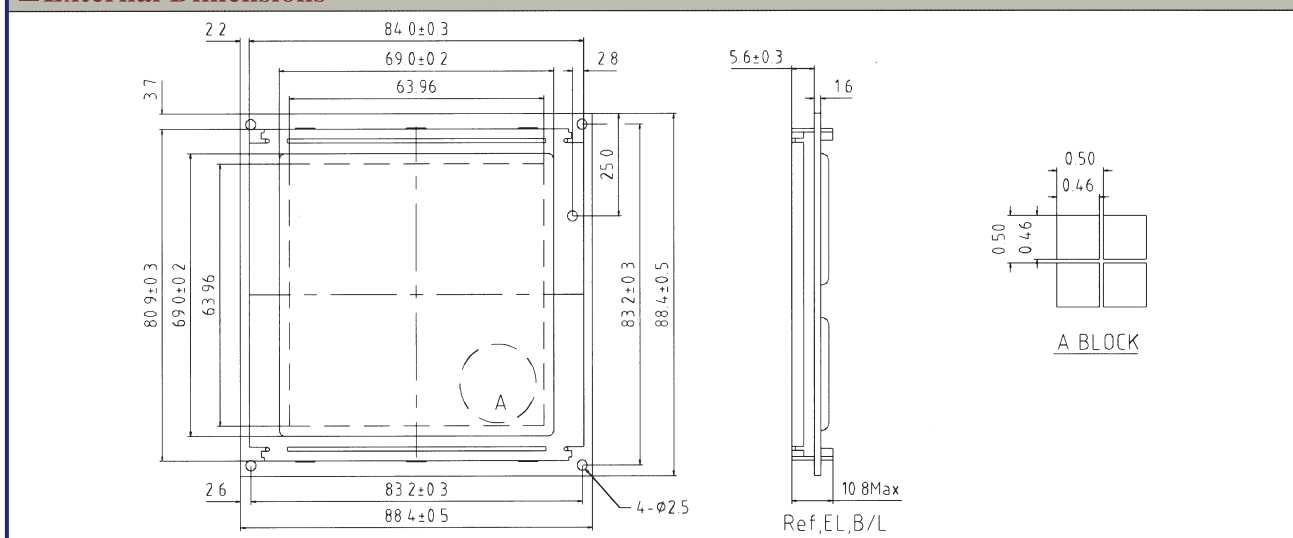
Pin Assignment

No.	Symbol	Level	Function
1	V_{SS}	--	Power Supply(0V,GND)
2	N.C	--	
3	AUDIO I/P	H/L	Audio Signal Input
4	RS	H/L	H: Instruction L: Data
5	R/W	H/L	H: Data Read L: Data Write
6	E	H/L	Enable
7	N.C	--	
8~15	DB0~DB7	H/L	Data Bus Line
16,17	N.C	--	No Connection
18	V_{DD}	--	Power Supply for Logic Circuit
19	AUDIO	--	Audio Ground

Block Diagram



External Dimensions



Option

LCD Type								Backlight Type			Built-in Control LSI		
S1	S2	W	N	R	F	M	H	EL	LED	CCFL	Touch Panel		
•	•			•	•							LC7981	