

# DG series

## DG-12864-11 128 x 64 Dots

### Mechanical Data

Item	Standard Value	Unit
Module Size	78.0(W) x 70.0(H) x 10.5 (T)	mm
Viewing Area	62.0(W) x 44.0(H)	mm
Dot Pixels	128 x 64	dots
Dot Size	0.40 x 0.56	mm
Dot Pitch	0.44 x 0.6	mm

### Absolute Maximum Ratings

Item	Symbol	Standard Value			Unit
		Min.	Typ.	Max.	
Supply Voltage for Logic	$V_{DD}-V_{SS}$	0	--	7.0	V
Supply Voltage for LCD Drive	$V_{DD}-V_{EE}$	0	--	10.0	V
Input Voltage	$V_I$	$V_{SS}$	--	$V_{DD}$	V
Operation Temperature	$T_{opr}$	0	--	50	°C
Storage Temperature	$T_{stg}$	-20	--	70	°C

### Electrical Characteristics

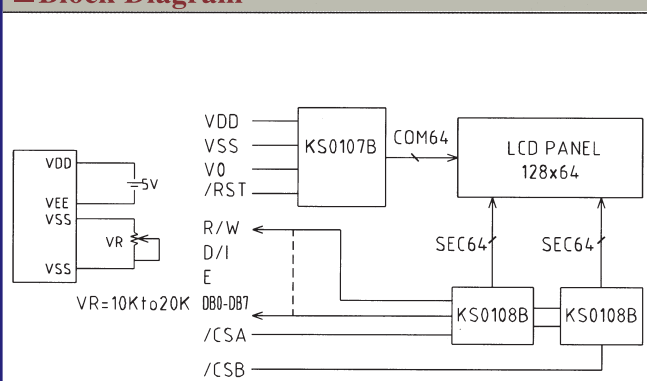
Item	Symbol	Condition	Standard Value			Unit
			Min.	Typ.	Max.	
LCD Supply Voltage	$V_{DD}-V_{SS}$	--	4.5	5.0	5.5	V
LCD Driver Circuit Power Supply Voltage	$V_{DD}-V_{EE}$	-20 °C	--	--	--	V
		0 °C	--	12.8	--	V
		25 °C	--	12.0	--	V
		50 °C	--	11.1	--	V
		70 °C	--	--	--	V
Input Voltage	$V_{IH}$	NOTE(1)	$0.7 \times V_{DD}$	--	$V_{DD}$	V
Input Voltage	$V_{IL}$	NOTE(1)	$V_{SS}$	--	$0.3 \times V_{DD}$	V
Supply Current	$I_{DD}$	$V_{DD}=5V$	--	8.0	15.0	mA

Note (1) Pin, RS, R/W, DB0 ~ DB7

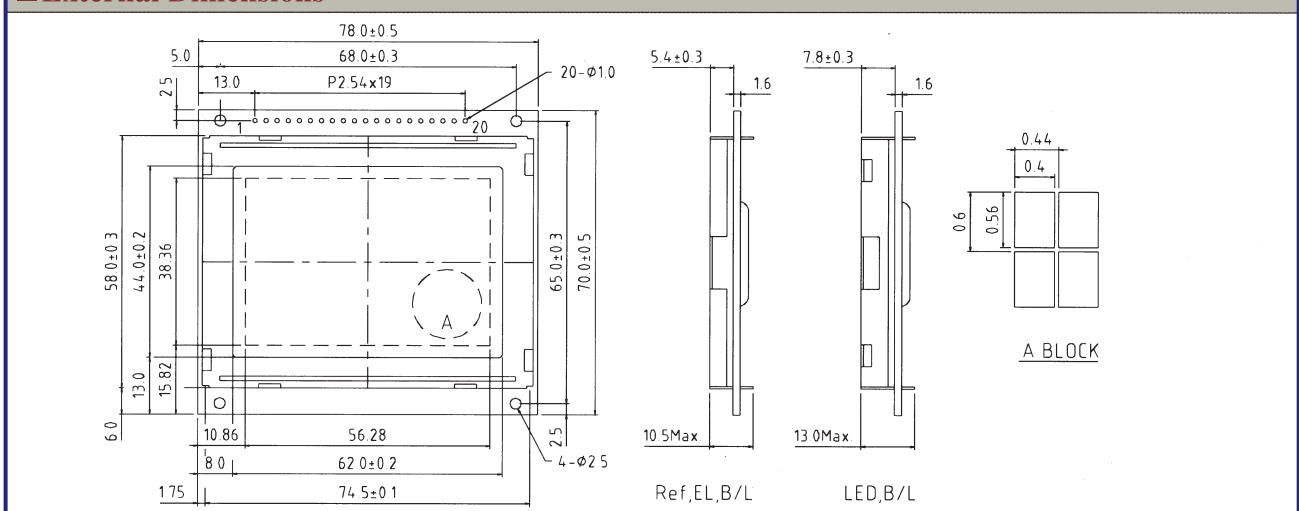
### Pin Assignment

No.	Symbol	Level	Function
1	/CSA	--	Chip Selection
2	/CSB	--	Chip Selection
3	$V_{SS}$	--	GND
4	$V_{DD}$	--	Power Supply for Logic
5	$V_0$	--	Power Supply for LCD Drive
6	D/I	H/L	H: Data Input, L: Instruction Code Input
7	R/W	H/L	H: Data Read L: Data Write
8	E	H,H/L	Enable Signal
9 ~ 16	DB0 ~ DB7	H/L	Date Bus Line
17	/RST	L	Reset
18	$V_{EE}$	--	Negative Voltage Output(-5v)
19	NC	--	No Connection
20	NC	--	No Connection

### Block Diagram



### External Dimensions



### Option

LCD Type								Backlight Type			Built-in Control LSI		
S1	S2	W	N	R	F	M	H	EL	LED	CCFL	Touch Panel	KS-0108	
•	•			•	•		•		•				