

DG series

DG-12864-12 128 x 64 Dots

Mechanical Data

Item	Standard Value	Unit
Module Size	78.0(W) x 70.0(H) x 10.5 (T)	mm
Viewing Area	62.0(W) x 44.0(H)	mm
Dot Pixels	128 x 64	dots
Dot Size	0.40 x 0.56	mm
Dot Pitch	0.44 x 0.6	mm

Absolute Maximum Ratings

Item	Symbol	Standard Value			Unit
		Min.	Typ.	Max.	
Supply Voltage for Logic	$V_{DD}-V_{SS}$	0	--	7.0	V
Supply Voltage for LCD Drive	$V_{DD}-V_{EE}$	0	--	10.0	V
Input Voltage	V_I	V_{SS}	--	V_{DD}	V
Operation Temperature	Topr	0	--	50	°C
Storage Temperature	Tstg	-20	--	70	°C

Electrical Characteristics

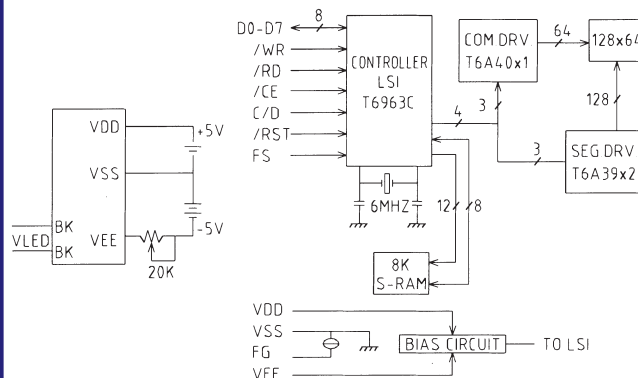
Item	Symbol	Condition	Standard Value			Unit
			Min.	Typ.	Max.	
LCD Supply Voltage	$V_{DD}-V_{SS}$	--	4.75	5.0	5.25	V
LCD Driver Circuit Power Supply Voltage	$V_{DD}-V_{EE}$	-20 °C	--	--	--	V
		0 °C	--	12.8	--	V
		25 °C	--	12.0	--	V
		50 °C	--	11.1	--	V
		70 °C	--	--	--	V
Input Voltage	V_{IH}	NOTE(1)	$0.7 \times V_{DD}$	--	V_{DD}	V
Input Voltage	V_{IL}	NOTE(1)	V_{SS}	--	$0.3 \times V_{DD}$	V
Supply Current	I_{DD}	$V_{DD}=5V$	--	8.0	15.0	mA

Note (1) Pin, E, RS, R/W, DB0 ~ DB7

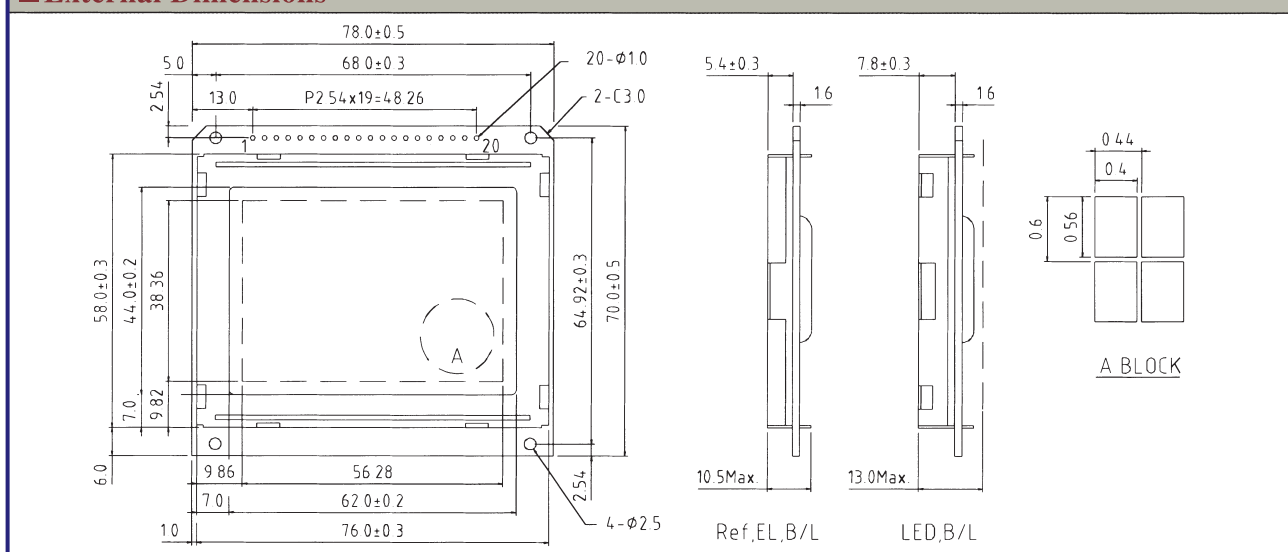
Pin Assignment

No.	Symbol	Level	Function
1	FG	--	Frame Ground
2	V_{SS}	--	Ground
3	V_{DD}	--	Power Supply for Logic & LCD(+)
4	V_{EE}	--	Power Supply for LCD(-)
5	/WR	H/L	Data Write
6	/RD	H/L	Data Read
7	/CE	INPUT	Chip Enable
8	C/D	INPUT	Code/ Data
9	/RST	L	Reset
10~17	DB0~DB7	H/L	Data Bus Line
18	FS	INPUT	Font Size Select H=6x8 L=8x8
19	LEDK	--	LED Power Supply
20	LEDA	--	LED Power Supply

Block Diagram



External Dimensions



Option

LCD Type								Backlight Type			Built-in Control LSI		
S1	S2	W	N	R	F	M	H	EL	LED	CCFL	Touch Panel		
•	•			•	•		•	EL	LED			T6963C	