

DG series

DG-12864 128 X 64 Dots

Mechanical Data

Item	Standard Value	Unit
Module Size	93.0(W) x 70.0(H) x 9.5(T)	mm
Viewing Area	71.7(W) x 39.0(H)	mm
Dot Pixels	128 x 64	dots
Dot Size	0.48 x 0.48	mm
Dot Pitch	0.52 x 0.52	mm

Absolute Maximum Ratings

Item	Symbol	Standard Value			Unit
		Min.	Typ.	Max.	
Supply Voltage for Logic	$V_{DD}-V_{SS}$	0	--	7.0	V
Supply Voltage for LCD Drive	$V_{DD}-V_{EE}$	0	--	19.0	V
Input Voltage	V_i	V_{SS}	--	V_{DD}	V
Operation Temperature	T_{opr}	0	--	50	°C
Storage Temperature	T_{stg}	-20	--	70	°C

Electrical Characteristics

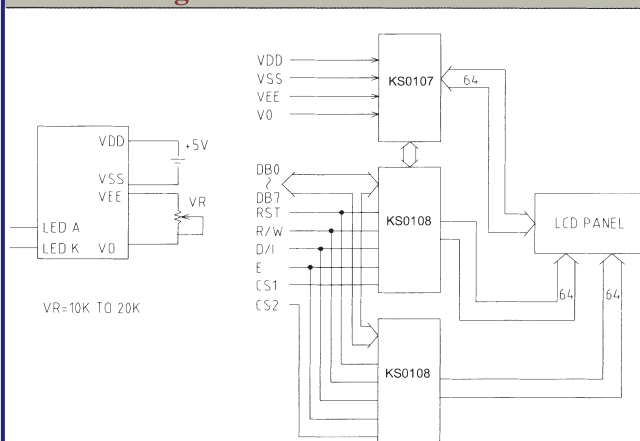
Item	Symbol	Condition	Standard Value			Unit
			Min.	Typ.	Max.	
LCD Supply Voltage	$V_{DD}-V_{SS}$	--	4.5	5.0	5.5	V
LCD Driver Circuit Power Supply Voltage	$V_{DD}-V_{EE}$	--	--	12.6	--	V
Input Voltage	V_{IH}	Note(1)	$0.7 \times V_{DD}$	--	V_{DD}	V
Input Voltage	V_{IL}	Note(1)	V_{SS}	--	$0.3 \times V_{DD}$	V
Supply Current (Logic)	I_{DD}	$V_{DD} = 5.0V$	--	1.0	3.0	mA
Supply Current (Logic)	I_{LCD}	$V_{DD} = 5.0V$	--	1.0	3.0	mA

Note (1) CS1,CS2,R/W,D/I,DB0~DB7,E,RST

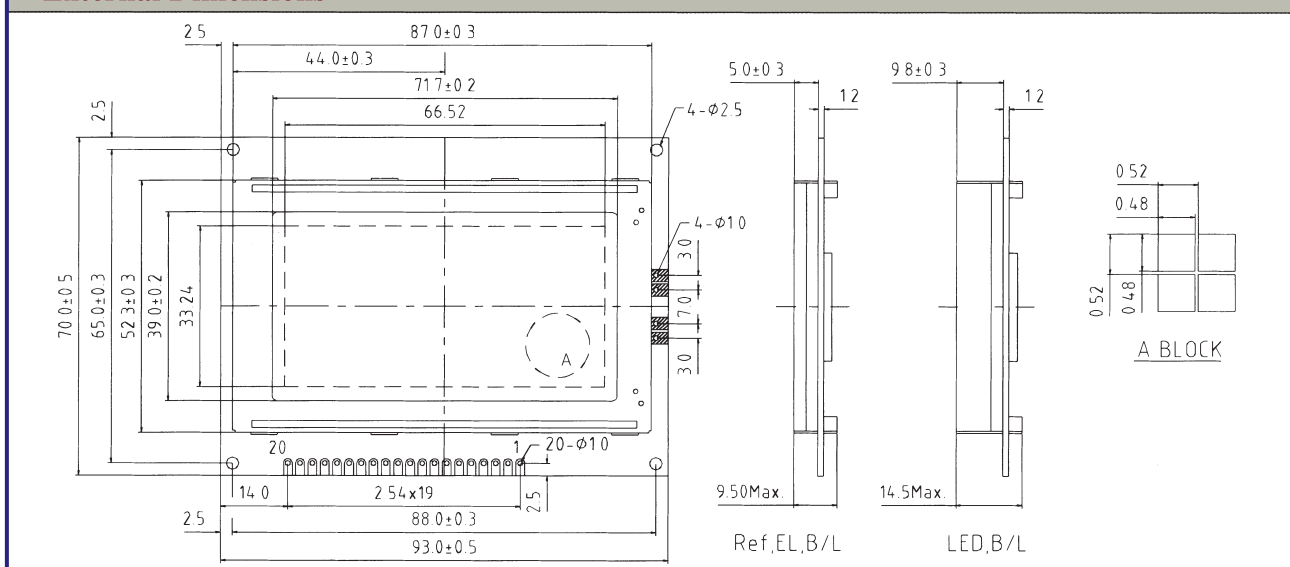
Pin Assignment

No.	Symbol	Level	Function
1	V_{SS}	--	Ground
2	V_{DD}	--	Power Supply for Logic Circuit
3	V_0	--	Power Supply for LCD Driving
4	D/I	H/L	H: Data Input L: Instruction Code Input
5	R/W	H/L	H: Data Read (LCD) Module \Rightarrow MPU L: Data Write (LCD) Module \Leftarrow MPU
6	E	H,H \rightarrow L	Enable Signal
7~14	DB0~DB7	H/L	Data Bus Line
15	CS1	H	Chip Selection for IC1
16	CS2	H	Chip Selection for IC2
17	RST	L	Reset
18	V_{EE}	--	Negative Voltage Output (-10V)
19~20	N.C.	--	

Block Diagram



External Dimensions



Option

LCD Type								Backlight Type			Built-in Control LSI		
S1	S2	W	N	R	F	M	H	EL	LED	CCFL	Touch Panel		
•	•			•	•			•	•			KS-0108	