

DG series

DG-24128-01 240 X 128 Dots

Mechanical Data

Item	Standard Value	Unit
Module Size	170.0(W) x 103.2(H) x 14.0(T)	mm
Viewing Area	129.0(W) x 75.0 (H)	mm
Dot Pixels	240 x 128	dots
Dot Size	0.47 x 0.47	mm
Dot Pitch	0.50 x 0.50	mm

Absolute Maximum Ratings

Item	Symbol	Standard Value			Unit
		Min.	Typ.	Max.	
Supply Voltage for Logic	$V_{dd}-V_{ss}$	0	--	7.0	V
Supply Voltage for LCD Drive	$V_{dd}-V_{ee}$	0	--	28.0	V
Input Voltage	V_I	V_{SS}		V_{DD}	V
Operation Temperature	Topr	0		50	°C
Storage Temperature	Tstg	-20		70	°C

Electrical Characteristics

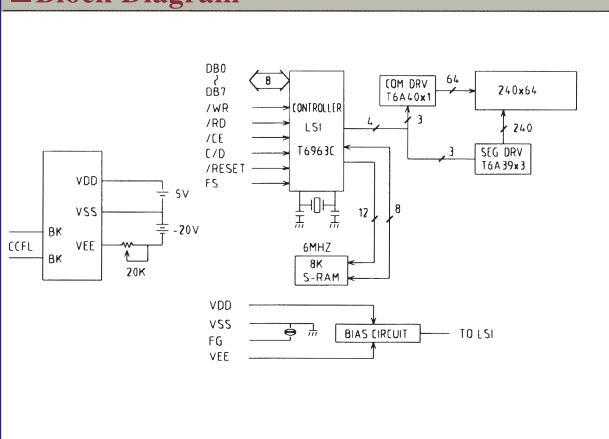
Item	Symbol	Condition	Standard Value			Unit
			Min.	Typ.	Max.	
LCD Supply Voltage	$V_{dd}-V_{ss}$		4.5	5.0	5.5	V
LCD Driver Circuit Power Supply Voltage	$V_{dd} V_{ee}$	25 °C	16.6	17.3	18.0	V
Input Voltage	V_{IH}	Note (1)	$0.7 \times V_{DD}$	--	V_{DD}	V
Input Voltage	V_{IL}	Note (1)	0	--	$0.3 \times V_{DD}$	V
Output Voltage	V_{OH}					
Output Voltage	V_{OL}					
Input Leakage Current	I_U					μA
Supply Current for (Logic)	I_{DD}	$V_{DD} = 5V$	--	14	20.0	mA
Supply Current for (LCD)	I_{FE}	$V_{FE} = 20.0V$	--	6	8	mA

Note (1) Pin, RS, R/W, DB0 ~ DB7

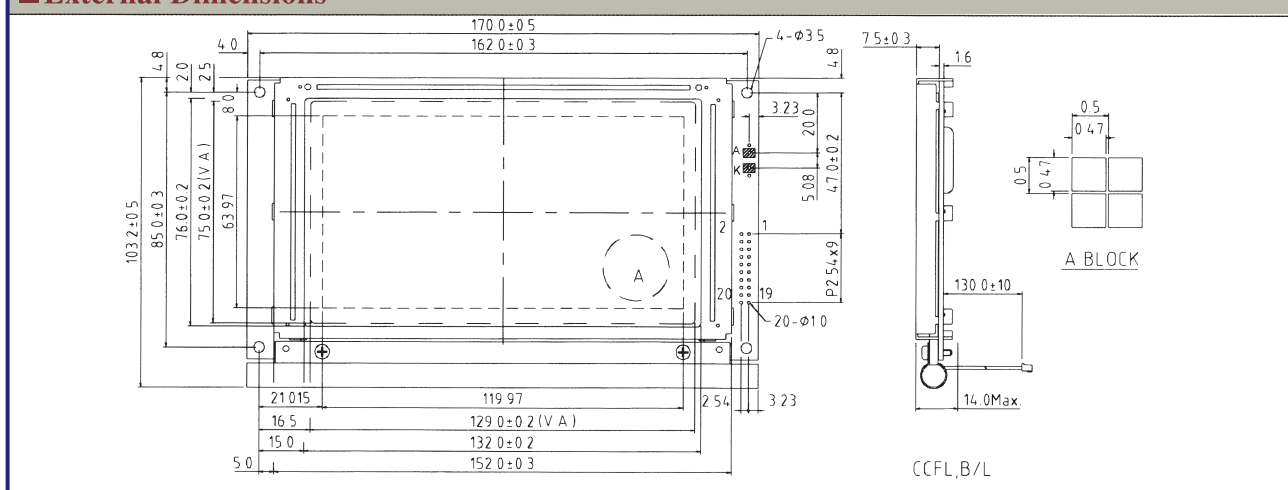
Pin Assignment

No.	Symbol	Level	Function
1.	FGND		Frame ground
2.	V_{SS}		Ground potential (Logic)
3.	V_{DD}		Power supply for Logic & LCD(+)
4.	V_{EE}		Power supply for LCD(-)
5.	WR		Data write
6.	RD		Data read
7.	CE		Chip enable
8.	C/D		Code/data
9.	NC		No connection
10.	/RESET		Controller Reset
11-18	DB0-DB7		Data bus line
19	FS		Font select
20	RV		Reverse data in

Block Diagram



External Dimensions



Option

LCD Type								Backlight Type			Built-in Control LSI		
S1	S2	W	N	R	F	M	H	EL	LED	CCFL	Touch Panel		
		•	•							•		T-6963C	

Remarks: S1 : yellow-green STN LCD , S2 : gray STN LCD, W : black & white LCD, N : negative type LCD, R : reflective type LCD, F : transfective type LCD, M : transmissive type LCD, H : extended temperature type LCD (-20°C ~ 70°C)