

DG series

DG-24128-05 240 X 128 Dots

Mechanical Data

Item	Standard Value	Unit
Module Size	144.0(W) x 104.0(H) x 15.6(T)	mm
Viewing Area	114.0(W) x 64.0 (H)	mm
Dot Pixels	240 x 128	dots
Dot Size	0.40x 0.40	mm
Dot Pitch	0.45 x 0.45	mm

Absolute Maximum Ratings

Item	Symbol	Standard Value			Unit
		Min.	Typ.	Max.	
Supply Voltage for Logic	$V_{dd}-V_{ss}$	0	--	7.0	V
Supply Voltage for LCD Drive	$V_{dd}-V_{ee}$	0	--	28.0	V
Input Voltage	V_I	V_{SS}		V_{DD}	V
Operation Temperature	T_{opr}	0		50	°C
Storage Temperature	T_{stg}	-20		70	°C

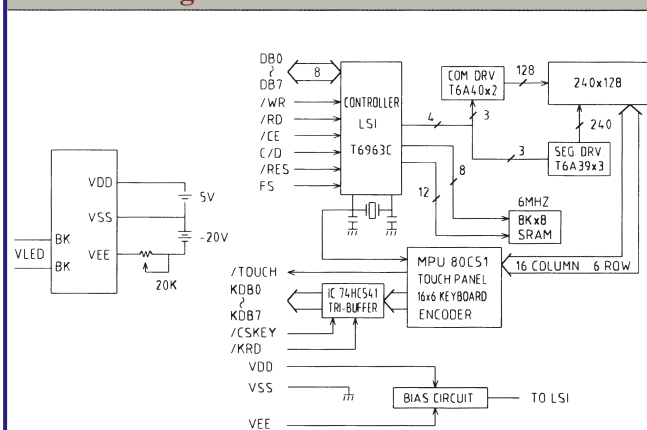
Electrical Characteristics

Item	Symbol	Condition	Standard Value			Unit
			Min.	Typ.	Max.	
LCD Supply Voltage	$V_{dd}-V_{ss}$		4.75	5.0	5.25	V
LCD Driver Circuit	$V_{dd} V_{ee}$	-10 °C	19.4	20.4	21.4	V
Power Supply Voltage		25 °C	18.0	18.9	19.8	
		50 °C	16.1	16.9	17.7	
Input Voltage	V_{IH}	$V_{DD} = 3 \pm 0.25$	$0.7 \times V_{DD}$	--	V_{DD}	V
Input Voltage	V_{IL}	$V_{DD} = 5 \pm 0.25$	0	--	$0.3 \times V_{DD}$	
Output voltage	V_{OH}					
Output voltage	V_{OL}					
Input leakage current	I_U					μA
Supply current for (Logic)	I_{DD}	$V_{DD} = 5V$	--	4.1	--	mA
Supply current for (LCD)	I_{EE}	$V_{EE} = 20.0V$	--	--	TBD	mA

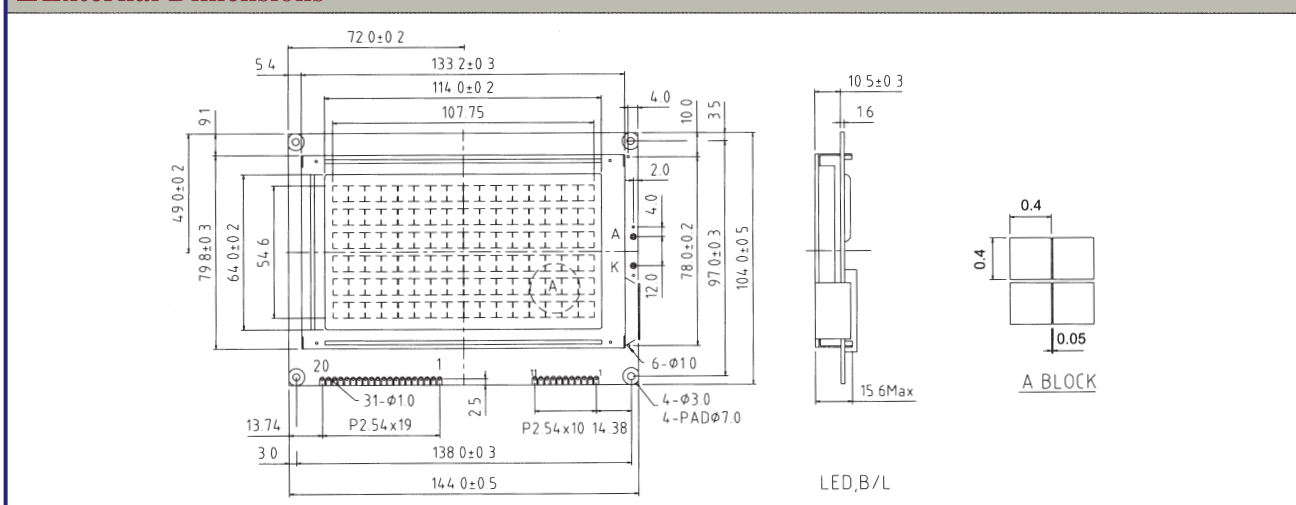
Pin Assignment

No.	Symbol	Level	Function
1.	V_{SS}		Ground potential (Logic)
2.	V_{DD}		Power supply for Logic & LCD
3.	V_{EE}		Power supply for LCD
4.	C/D		Code/Data
5.	/RD		Data Read
6.	/WR		Data Write
7-14	DB0-DB7		Data bus Line
15	/CE		Chip enable
16	/RES		Control reset
17	V_{EE}		Negative for selection of columns
18	MD2		H = 32 L = 40
19	FS		H = 6*8 L = 8*8
20	NC		No connection

Block Diagram



External Dimensions



Option

LCD Type								Backlight Type			Touch Panel		Built-in Control LSI	
S1	S2	W	N	R	F	M	H	EL	LED	CCFL				
•	•	•		•	•		•	•	•		•		T-6963C	