

DV series

DV-0802 8 characters x 2 lines

■ Mechanical Data

Item	Standard Value	Unit
Module Dimensions	58.0(W) X 32.0(H) X 10.0 max. (D)	mm
Viewing Area	35.0(W) X 15.0(H)	mm
Dot Size	0.545(W) X 0.645(H)	mm
Dot Pitch	0.600(W) X 0.700(H)	mm

■ Absolute Maximum Ratings

Item	Symbol	Standard Value			Unit
		Min.	Typ.	Max.	
Supply Voltage for Logic	$V_{dd}-V_{ss}$	0	--	7.0	V
Supply Voltage for LCD Drive	$V_{dd}-V_{cc}$	1.5	--	13.5	V
Input Voltage	V_I	V_{ss}	--	V_{dd}	V
Operation Temperature	T_{opr}	0	--	50	°C
Storage Temperature	T_{stg}	-20	--	70	°C

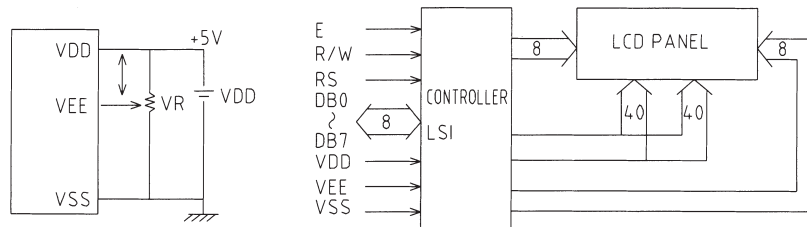
■ Electrical Characteristics

Item	Symbol	Condition	Standard Value			Unit
			Min.	Typ.	Max.	
Input "High" Voltage	V_{IH}	--	2.2	--	V_{dd}	V
Input "Low" Voltage	V_{IL}	--	0	--	0.6	V
Output "High" Voltage	V_{OH}	$-I_{OH}=0.205mA$	--	--	--	V
Output "Low" Voltage	V_{OL}	$I_{OL}=1.2mA$	--	--	--	V
Supply Current	I_{DD}	--	--	2.0	8.5	mA

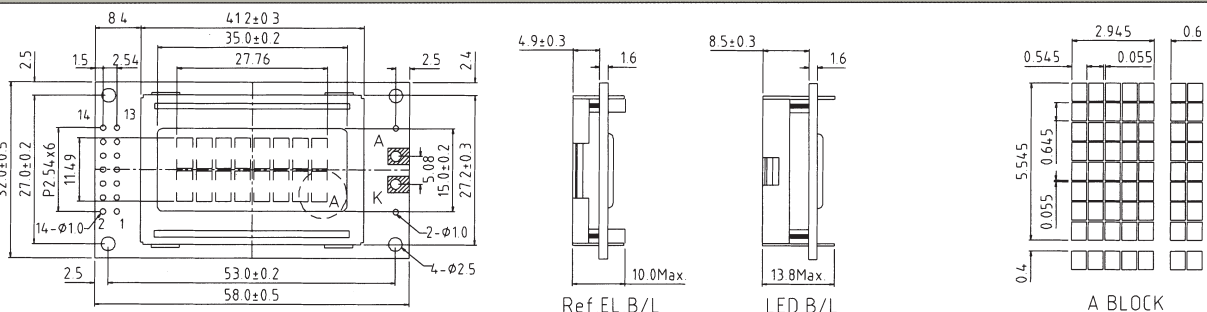
■ Pin Assignment

No.	Symbol	Function	No.	Symbol	Function
1	V_{ss}	GND, 0V	8	DB1	Data Bus Line
2	V_{dd}	+5V	9	DB2	Data Bus Line
3	V_{cc}	For LCD Drive	10	DB3	Data Bus Line
4	RS	Function Select	11	DB4	Data Bus Line
5	R/W	Read/Write	12	DB5	Data Bus Line
6	E	Enable Signal	13	DB6	Data Bus Line
7	DB0	Data Bus Line	14	DB7	Data Bus Line

■ Block Diagram



■ External Dimensions



■ Option

LCD Type								Backlight Type			Built-in Control LSI		
S1	S2	W	N	R	F	M	H	EL	LED	CCFL	Touch Panel		
•	•			•	•		•		•			KS-0066U or Equivalent	

Remarks: S1 : yellow-green STN LCD, S2 : gray STN LCD, W : black & white LCD, N : negative type LCD, R : reflective type LCD, F : transmissive type LCD, M : transmissive type LCD, H : extended temperature type LCD (-20°C ~ 70°C)