

DV series

DV-40400 40 characters x 4 lines

Mechanical Data

Item	Standard Value	Unit
Module Dimensions	190.0(W) X 54.0(H) X 10.5 (D)	mm
Viewing Area	147.0(W) X 29.5(H)	mm
Dot Size	0.50(W) X 0.55(H)	mm
Dot Pitch	0.57(W) X 0.62(H)	mm

Absolute Maximum Ratings

Item	Symbol	Standard Value			Unit
		Min.	Typ.	Max.	
Supply Voltage for Logic	$V_{dd}-V_{ss}$	-0.3	--	7.0	V
Supply Voltage for LCD Drive	$V_{dd}-V_{ee}$	$V_{dd}-13.5$	--	$V_{dd}+0.3$	V
Input Voltage	V_I	-0.3	--	$V_{dd}+0.3$	V
Operation Temperature	Topr	0	--	50	°C
Storage Temperature	Tstg	-20	--	70	°C

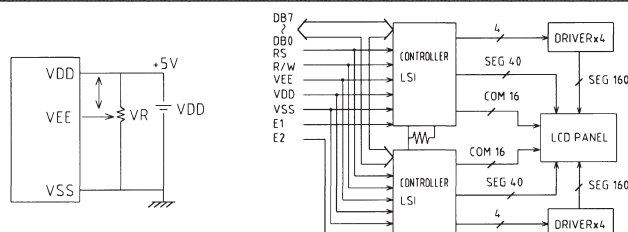
Electrical Characteristics

Item	Symbol	Condition	Standard Value			Unit
			Min.	Typ.	Max.	
Input "High" Voltage	V_{IH}		2.2	--	V_{dd}	V
Input "Low" Voltage	V_{IL}	$-I_{OH}=0.205mA$	0	--	0.6	V
Output "High" Voltage	V_{OH}	$I_{OL}=1.2mA$	2.4	--	V_{dd}	V
Output "Low" Voltage	V_{OL}		0	--	0.4	V
Supply Current	I_{dd}	$V_{dd}=5V$	--	4.0	10.0	mA

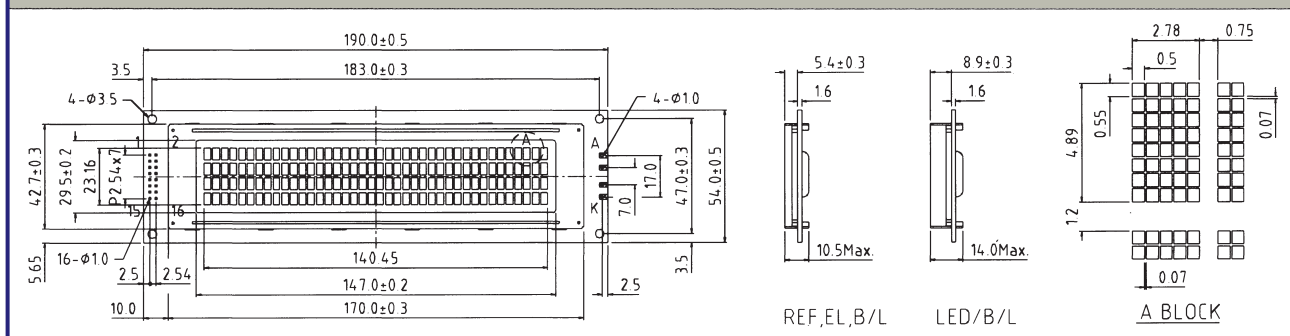
Pin Assignment

No.	Symbol	Function	No.	Symbol	Function
1-3	D7-D5	Data bus line	10	R/W	H: Read L: Write
4	D4	Data bus line	11	RS	Register select signal
5	D3	8-bit transfer .data bus line	12	V_{EE}	Power supply for LCD Drive
6	D2		13	V_{SS}	Power supply (0V,GND)
7	D1	4-bit transfer no connection	14	V_{DD}	Power supply (+5v)
8	D0		15	E2	Enable signal (no pull-up resistor)
9	E1	Enable signal	16	NC	No connection

Block Diagram



External Dimensions



Option

LCD Type								Backlight Type			Built-in Control LSI		
S1	S2	W	N	R	F	M	H	EL	LED	CCFL	Touch Panel		
•	•			•	•		•	•	•			KS-0066U or equivalent	

Remarks: S1 : yellow-green STN LCD , S2 : gray STN LCD, W : black & white LCD, N : negative type LCD, R : reflective type LCD, F : transfective type LCD, M : transmissive type LCD, H : extended temperature type LCD (-20°C ~ 70°C)